

PRODUCT DATASHEET
GLOBAL TAG DISKY UHF 18mm Laundry Tag

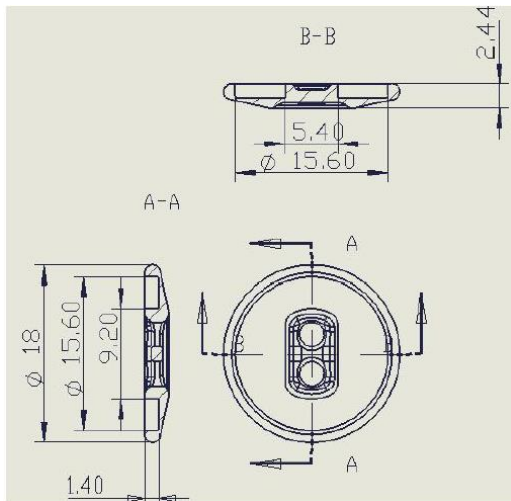

Global Tag **PPS Disk UHF 18mm Laundry Tag** is designed for applications in which a strong washing process is needed.

It can be **sewn** thanks to the two holes, using standard button fastening machine.

Available in UHF frequency, it can be read up to 1 meters (fixed reader).


MECHANICAL AND ENVIRONMENTAL SPECIFICATIONS

Dimensions: Dia.18mm, Thickness 2.44mm (tolerance from 0mm to +0.3mm) With two holes to tighten tag on fabric, hole dia.2.5mm



Weight: 1,5 gr.

Material: PPS and Epox

Color: Generally black – It is available also with other color (MOQ)

Class Protection: IP68 (Totally protected against ingress of solid / Protected against long period of immersion)

Storage Temperature: -40°C to +180°C / -40°F to +356°F

Operating Temperature: -10°C to +120°C / -14°F to +248°F

Delivery format: Singulated

Expected lifetime: Years in normal operating conditions

Water Extraction Pressure: up to 20 bars

Chemical resistance: Detergent, Softener, Bleach (Oxygen/ Chlorine), Alkali *4

Washing Methods: Laundry, Dry cleaning or high-temperature sterilization

Washing Cycles: more than 250 wash cycles or three years

Washing: 90°C 15 min

Drying: 160°C 30 min

Ironing: 200°C 10 sec

Tunnel Finisher: 185°C 3 min

Values in the table are the best recommendations; resistance against environmental conditions depends on the combinations of all influencing factors, exposure duration and chemical concentrations. Thus, product's final suitability for certain environmental conditions is recommended to be tested. We are available for other information.



CHIP SPECIFICATION AVAILABLE

	UHF 860-960MHz
Device type	Class 1 Gen 2
Air interface protocol	ISO18000-63
IC Type Available	Monza 4 QT
Size Inlay	15 mm
Read Range	Up to 1 m (fixed reader) Up 50 cm (Handeld reader)

INSTALLATION MODE

Sewing

APPLICATION NOTE

Laundry Application: **PPS 18mm UHF Disk** can be used to track clothes/uniforms/shoes during the washing process, withstanding the hardest conditions.

ORDER INFORMATION

PRODUCT CODE: GT-DSKY_B18-M4QT

For the realization of transponders with different colors or with other kind of customization, please contact us at any time:

Global Tag Srl – Via Zanardelli 13/A, 25062 Concesio (BS) - Italy

P +39 030 2005259

S [global-tag](https://www.global-tag.com)

W www.global-tag.com

M sales@global-tag.com

DISCLAIMER

The information in this document is subject to change without notice. Global Tag assumes no responsibility for any errors that may appear in this document.

Application recommendations are guidelines only - actual results may vary and should be confirmed. This is a general purpose product not designed or intended for any specific application.

Global Tag Srl or its subsidiaries are not responsible for the performance or support of third party products and does not make any representations or warranties whatsoever regarding quality, reliability, functionality, or compatibility of these devices or products.

© Copyright 2024 - Global Tag Srl