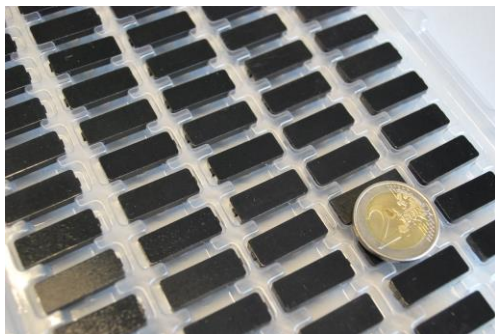


PRODUCT DATASHEET

GLOBAL TAG **IN-METAL TINY-XL**



Global Tag **IN-METAL TINY-XL** is a RFID UHF in-metal tag, which can both be placed on metal surfaces and integrated in metal objects. Born for indoor and outdoor uses, it can survive in the harshest environments, in high temperature conditions (up to 250°C).

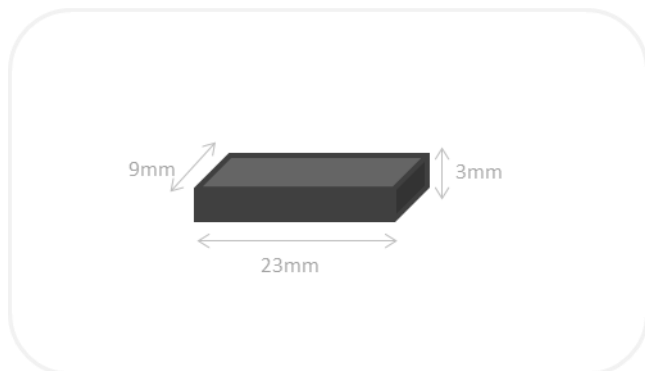
The size of this tag is 23x9mm, very small considering the reading range, up to 190cm (test has been made with 2W fixed reader with 27x27cm antenna).



MECHANICAL AND ENVIRONMENTAL SPECIFICATIONS

Dimensions: 23x9x3mm / 0,90x0,354x0,118 in

Weight: 3,4g



Mounting System: for in-metal solution need to make hole 28x13mm with 4mm depth.

Material: Ceramic

Color: Black color - Available optionally any other colors (with MOQ request)

Class Protection: IP68 (Totally protected against ingress of solid / Protected against long period of immersion)

Storage Temperature: -40°C to +250°C / -40°F to +482°F

Operating Temperature: -25°C to +150°C / -13°F to +302°F

Weather Ability: Very Good, including UV resistance and sea water

Delivery format: Individual

Expected lifetime: Years in normal operating conditions

Chemical resistance:

No physical or performance changes in (tested up to, more hours can be):

- 200 hours Motor oil immersion
- 200 hours Salt water (salinity 10%) exposure
- 24 hours NH3 Ammoniac (5% to 25%)

Values in the table are the best recommendations; resistance against environmental conditions depends on the combinations of all influencing factors, exposure duration and chemical concentrations. Thus, product's final suitability for certain environmental conditions is recommended to be tested. We are available for other information.



CHIP SPECIFICATION AVAILABLE

	UHF 860-960MHz
Device type	Class 1 Gen 2
Air interface protocol	ISO18000-63
IC Type Available	Alien Higgs3, other on-request
Size Antenna	20x8mm
Read Range	Up to 190cm

CUSTOMIZATION OPTIONS

Pre-Encoding: Customer specific encoding of EPC or User Memory (also from Database). Locking permanently or with password. Insert into Database TID code.

3M Adhesive

Printing options

INSTALLATION MODE

For in-metal solution it is necessary to make a 28x13mm/ 4mm depth mill in the metal. Generally, the hole is filled with epoxy resin to protect and to make the tag more stable.

APPLICATION NOTE

Machinery parts tracking: **IN-METAL TINY-XL** can be used to track and manage small machinery parts, also metallic components thanks to smallest size and good performance. With in-metal solution, transponder can be hidden into component.

IT asset management: **IN-METAL TINY-XL** with small size can be used for IT asset management as Tablet, smartphone and other small size equipment.

ORDER INFORMATION

Standard product is made with Alien Higgs3 chip

PRODUCT CODE: GT-TNY_XL_HT-AH3

For printing options or for produce transponder with different color or with other type of customization... contact us for more information:

Global Tag Srl – Via Zanardelli 13/A, 25062 Concesio (BS) - Italy

P +39 030 2005259

S [global-tag](https://www.global-tag.com)

W www.global-tag.com

M sales@global-tag.com

DISCLAIMER

The information in this document is subject to change without notice. Global Tag assumes no responsibility for any errors that may appear in this document.

Application recommendations are guidelines only - actual results may vary and should be confirmed. This is a general purpose product not designed or intended for any specific application.

Global Tag Srl or its subsidiaries are not responsible for the performance or support of third party products and does not make any representations or warranties whatsoever regarding quality, reliability, functionality, or compatibility of these devices or products.

© Copyright 2024 - Global Tag Srl