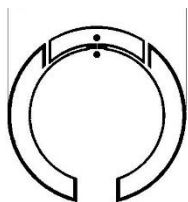


PRODUCT DATASHEET

GLOBAL TAG UHF 27



Global Tag **UHF 27** is a RFID UHF antenna design with round form, which has been designed for retail item-level deployments like apparel traceability or RFID solutions for pharmaceutical and healthcare industries. It is also a suitable solution as non-invasive labeling in the projects of asset tracking.



This product can be supplied in the form of wet-inlay, paper label, PET/PP label.



Different customizations are available such as die-cut label size, encoding of EPC/memory, or content printing.



MECHANICAL AND ENVIRONMENTAL SPECIFICATIONS

Antenna Size: $\varnothing 27\text{mm}$

Wet inlay size: $\varnothing 30\text{mm}$

Paper/PP/PET label size: $\varnothing 30\text{mm}$ or bigger

Pitch Size: 35mm

Gap: 5mm

Web Width: 40mm

Mounting System: Glue, (optionally 3M 467 adhesive or Removable Glue)

Antenna Material: Aluminum

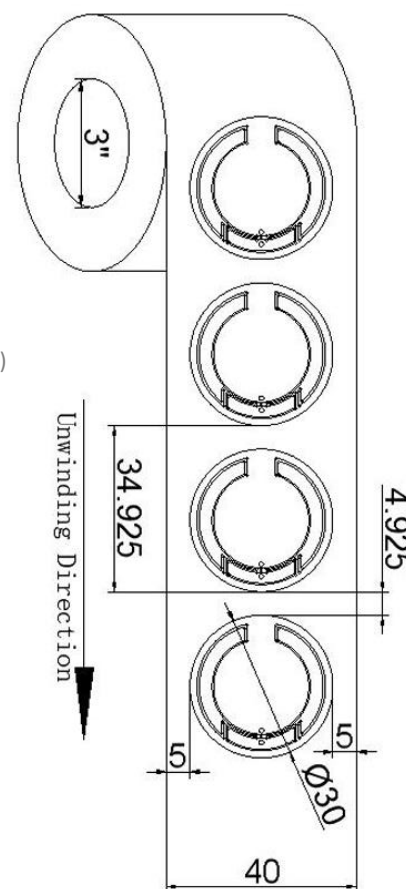
Storage Temperature: $+10^{\circ}\text{C}$ to $+35^{\circ}\text{C}$ (sealed in the vacuum bag and avoid direct sunlight exposure)

Storage Humidity: 30% to 70% RH (sealed in the vacuum bag and avoid direct sunlight exposure)

After gluing Temperature: -20°C to $+50^{\circ}\text{C}$

After gluing Humidity: 20% to +80% RH

Delivery format: in reel



IC CHIP SPECIFICATION

Operation Frequency	UHF 860-960 Mhz
Air interface protocol	UHF EPC Class 1 Gen 2
IC Type Available	NXP U-Code 8
TID Memory	96bit
EPC Memory	128bit
User Memory	-

READING DISTANCE

With long range fixed reader: ----- EU frequency 0 ~ 3m (2W ERP) ----- US frequency 0 ~ 7m (4W EIRP)

INSTALLATION MODE

With permanent strong glue: when mounting the tag with adhesive background, clean and dry the surface to obtain the maximum bond strength. The range temperature must be $+10^{\circ}\text{C}$ to $+40^{\circ}\text{C}$ and humidity range 20% to +80% RH



CUSTOMIZATION OPTIONS

Printing: 4-color or monochrome logo, Progressive number, Serial number from database, Barcode or QRCode.

Encoding: Writing contents in EPC/User Memory (optionally from customer's database)

3M glue: According to the project requirement and basing on the surface material we can supply special adhesive

ORDER INFORMATION

Standard products have these available size

PRODUCT CODE WET-INLAY: GT-WT30-U8

PRODUCT CODE PAPER LABEL: GT-PL30-U8

PRODUCT CODE PET LABEL: GT-PET30-U8

PRODUCT CODE PP LABEL: GT-PP30-U8

For further information or customization request:

Global Tag Srl – Via Zanardelli 13/A 25062 Concesio (BS) - Italy

P +39 030 2005259

S global-tag

W www.global-tag.com

M sales@global-tag.com

DISCLAIMER

The information in this document is subject to change without notice. Global Tag assumes no responsibility for any errors that may appear in this document.

Application recommendations are guidelines only - actual results may vary and should be confirmed. This is a general-purpose product not designed or intended for any specific application.

Global Tag Srl or its subsidiaries are not responsible for the performance or support of third-party products and does not make any representations or warranties whatsoever regarding quality, reliability, functionality, or compatibility of these devices or products.

© Copyright 2024 - Global Tag Srl